



WORKSHOP EQUIPMENT

# EOFY SALE

JUNE 1-30, 2026



## INSTANT TAX WRITE-OFF UP TO \$20K PER ASSET

INCLUDES QUALIFYING INVESTMENTS IN EQUIPMENT & TOOLS USED AS PART OF YOUR DAY-TO-DAY BUSINESS OPERATIONS.\*

\*Any potential tax advantages are subject to eligibility requirements and your business' individual financial circumstances. Conditions relating to turnover thresholds and asset usage may apply. This message is intended for general informational purposes only and is not a substitute for professional accounting or taxation advice.

### 51201N ALEMLUBE TYRE INFLATOR WITH PRESSURE GAUGE

- Dual scale pressure readings of 0-150psi and 0-1050kPa



**\$189**

### TUNI653 DIESEL PARTICULATE FILTER CLEANING GUN

- Cleaning DPF's made easy



**SAVE \$100**

**\$379**



### 8999 MOBILE WORK TABLE ADJUSTABLE HEIGHT

- Height from 88 to 120 cm
- Swivel Caster wheels with brakes
- Max loading capacity of 35 kg
- 15 adjustable positions (25 mm increments)



**SAVE \$70**

**\$199**



SAVE BIG ON THE BRANDS YOU LOVE





## WORKSHOP RANGE

### AAPTC27HA / AAPWB220V ALEMLUBE AUTOMOTIVE PREMIUM CHANGER & WHEEL BALANCER COMBO 27" TURNTABLE AUTOMATIC TYRE CHANGER

- Fully automatic pneumatic tilt back column
- Technologically advanced features make this tyre changer highly efficient & easy to use

#### MEGASPIN COMPACT DIGITAL PLUS VIDEO WHEEL BALANCER

- Digital visual display detects distance & diameter of the wheel
- The Virtual Sonar software reduces manual labour time & errors by providing balancing accuracy



18 MONTH WARRANTY

COMBO DEAL

Installation available upon request

\$20,490

### RAV3DTOWER.4 RAVAGLIOLI NEXT GEN 3D TOWER WHEEL ALIGNMENT SYSTEM

- Advanced European hardware & software technology
- Automatic tower tracking for faster alignments
- High accuracy wheel alignment performance
- Reduces setup time & manual adjustments
- Complete system with PC, monitor & accessories



NEW

2 YEAR WARRANTY

Installation & training available upon request

\$19,440

### AA49010 ALEMLUBE AUTOMOTIVE 1.2T PNEUMATIC LIFTING TABLE

- Passenger vehicle hydraulic air operated lifting table
- 1200kg lifting capacity with foot pedal control
- Ideal for working on engine tasks such as transmissions, batteries & sub frames



1 YEAR WARRANTY

Also available: AA49010-MG15F adaptor set \$510

\$5,240

### AA48020 ALEMLUBE AUTOMOTIVE BATTERY OPERATED WHEEL LIFT

- 2 x 12V 9AH battery operation
- Control panel with emergency stop & safety tyre hook
- 150 - 200 lifts per charge with 80kg maximum lifting weight



1 YEAR WARRANTY

\$2,195

### AA40CF2P ALEMLUBE AUTOMOTIVE 4.0T ELECTRO-HYDRAULIC 2-POST CLEAR FLOOR VEHICLE HOIST

- Suitable for under vehicle servicing of light commercial vehicles
- Fast lifting & lowering times with electric safety lock operation



1 YEAR WARRANTY

\$4,960

### AA47072A ALEMLUBE AUTOMOTIVE FULLY AUTOMATIC ATF EXCHANGER

- Automatically replaces up to 90% of a vehicles transmission fluid in 15 minutes or less
- Supplied with ATF adaptors to suit most vehicles



1 YEAR WARRANTY

\$3,500

All prices are exclusive of GST & installation costs. Delivery & freight charges apply. Alemlube will do everything possible, within reason to maintain stocks of products advertised but cannot be responsible for unforeseen shortfalls beyond their control.



## GENERAL RANGE

### G1001N EL SERIES TRIGGER ACTION GREASE GUN

- Grease pressures of up to 4,000psi (276bar)
- Delivery rates of up to 1.15g per stroke
- Robust die cast aluminium head assembly
- Heavy duty 4 jaw coupler
- Suits 450g cartridge or bulk grease
- Unique follower cup design



\$75

### BC110020 ALEMLUBE 2L BRAKE CLEANER SPRAYER

- Adjustable brass sprayer nozzle
- Pump action air pressurised
- Pressure relief valve
- Easy action ergonomic trigger
- Locking thumb operated control valve
- Viton seal with spare seals readily available



\$20

### 7701A ALEMLUBE 1L MULTI PURPOSE TOP UP KIT

- 500mm long PVC hose
- Dispenses up to 6mL per stroke
- 100ml graduation lines
- Self-contained unit prevents oil contamination
- Aluminium pump with nylon head & push handle aluminium delivery spout



\$30

### 20044 ALEMLUBE FOLDABLE LED SLIM & COMPACT WORK LIGHT

- Light Source:  
High power COB LED – Main light,  
High power SMD LED – Top light
- Luminous Power:  
Flood light 800 lumen (high), 150 lumen (low)  
Flash light 400 lumen (high), 120 lumen (low)  
Top light 120 lumen
- Operating time:  
Flood light 2.5 hours (high), 8 hours (low)  
Flash light 4 hours (high), 9 hours (low)  
Top Light 8 hours



\$83

### 8828N2 ALEMLUBE HAND OPERATED 20L OIL TRANSFER PUMP WITH RIEKE ADAPTOR

- Rieke adaptor makes a variety of 20L drums available to be used
- Suitable for transferring gear, engine, hydraulic & transmission oils, or any oils up to SAE140
- 140mm extension tube built into the tube to allow for full access of reaching the bottom of 20L drums
- Delivers up to 110mL fluid on the down stroke



\$74

### HR40030 EL SERIES AIR HOSE REEL

- Supplied complete with 20m x 10mm ID PVC hose and 0.9m lead in hose
- Increased safety by reducing rewind speed by up to 80% & rewinds without kinks
- High quality impact and UV resistant polypropylene covers
- 3/8" BSP(f) inlet/outlet
- High flow swivel and fluid path
- Maximum working pressure of 300psi (20bar)
- Detachable steel mounting bracket enables 180° hose reel rotation



\$279

### 11028 ALEMLUBE BATTERY OPERATED 20L OIL DRUM PUMP

- Up to 280L delivery per battery charge
- Quickly connect & disconnect motor for use on multiple pumptube assemblies
- Flow rates up to 4.6L/min
- Motor assembly is IP42 rated weatherproof & IK10 rated high impact resistant design
- Suitable for engine oil, hydraulic oil, gear oils up to SAE 140, transmission & coolant fluids
- Drainback nozzle holster ensures that excess oil ends up in the drum



\$550

Also available: **11028PTA**  
pumptube assembly \$250

All prices are exclusive of GST & installation costs. Delivery & freight charges apply. Alemlube will do everything possible, within reason to maintain stocks of products advertised but cannot be responsible for unforeseen shortfalls beyond their control.

# EOFY WORKSHOP EQUIPMENT SALE

**PT53508**

## 20pc PRESSURISED RAPID ENGINE OIL DRAINING & FILLING SYSTEM

- Uses high pressure air to penetrate oil galleries & clear sludge & minor blockages, as well as reducing oil servicing times
- Fifteen engine specific adaptors & one universal adaptor
- 2L funnel capacity provides more efficient oil refilling
- Wide variety of engine adaptors included



**\$139**

**RG7589**

## 14pc E-STAR SOCKET SET

- 1/4" Drive: E4, E5, E6, E7 & E8
- 3/8" Drive: E10, E11, E12, E14 & E16
- 1/2" Drive: E18, E20, E22 & E24
- Long star design improves driver contact for higher hand tool torque



**Cr-V**

**\$33**

**25% OFF**

**CH20140**

## 15AMP 12/24V INTELLIGENT BATTERY CHARGER

- Automatically monitors, maintains and revitalises your battery for maximum performance and lifespan
- Controlled, multi-phase charging



**\$169**

**PT51509**

## 21pc BALL JOINT SERVICE MASTER KIT

- Compact size provides greater access to areas where a universal press will not fit
- Ideal for tough to remove components
- Fits a wide range of front & rear wheel drive vehicles
- Black oxide coating resists corrosion



**\$139**

**PT60202**

## 46pc PETROL & DIESEL ENGINE COMPRESSION & LEAK TESTER MASTER KIT

- Tests compression & leakage on both diesel & petrol vehicles
- Tests a wide range of modern engines including HDI, TDCi, Pumpe Duse (PD) & older diesel & petrol engines
- Accurately measures cylinder compression levels



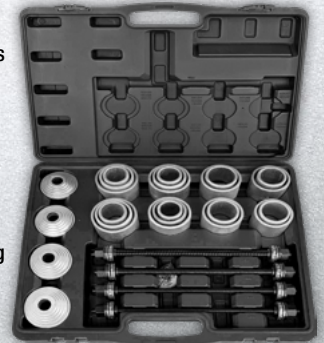
**\$288**

**Our Lowest Price Ever!**

**PT51074**

## 28pc PRESS & PULLER BEARING BUSH REMOVAL KIT

- Four pulling spindles of various diameters provide added power and strength for larger jobs
- Thrust bearings reduces friction on the spindles allowing more efficient extracting & installing result



**\$144**

**RG5267**

## 19pc UNIVERSAL FRONT HUB & BEARING PULLER

- Suits front-wheel drive hub bearing assembly & parts on most front-wheel-drive & small trucks
- Solid carbon steel construction
- 1 x Puller
- 6 x Hub bolts
- 12 x Adaptors
- Flat 55.5, 59, 62, 65, 66, 71.5, 73, 78 & 84mm
- Cup 76, 86 & 91mm



**\$145**

**PT60305**

## 37pc COOLING SYSTEM PRESSURE TESTER & VACUUM REFILLER MASTER KIT

- Pressure pump with 60mm 35psi/2.5BAR gauge
- Tests radiator pressure & refills airlock free
- Pressure relief valve on nozzle
- Adaptor application chart & simple to use instruction manual



**\$399**

**SAVE \$66**

**PT50902**

## COIL SPRING COMPRESSOR TOOL SET

- Compresses all types of Conical, Coil & Macpherson style front and rear springs
- Protects paintwork on springs
- Three jaw sizes: Gold 65-125mm Black 88-160mm & Silver 126-212mm
- Max jaw opening: 317mm (12½")



**\$299**

**PT81001**

## PROFESSIONAL WORKSHOP & WAREHOUSE TROLLEY WITH 3 TOOL TRAYS

- Capacity: 250kg
- Three 100mm deep shelves, three moulded pockets to hold pens, knives and other small items
- Lightweight and maneuverable
- Dimensions: 880(L) x 430(W) x 830(H)mm



**\$249**

**PT60101**

## 46pc PETROL ENGINE MASTER FUEL INJECTION PRESSURE TESTER SET

- Includes fuel rail adaptors for most GM & Ford vehicles with hairpin couplings and spring lock couplings
- With assorted adaptors, straight & bent tubing, banjo bolts, hose barb fittings, inverted flare nuts, quick coupler plugs & unions, cut hoses & hose clamps for early and late model vehicles



**\$138**

**PT40820**

## 150mm DIGITAL STEEL VERNIER CALIPER

- All aluminium digital body and stainless steel measuring frame
- Can be used to determine inside & outside measurements with a sliding thumb wheel for precise adjustment
- Long life rechargeable Lithium battery
- Huge LCD Display
- IP54 water resistance rating for use in humid conditions



**\$59**

**PT10203**

## 21pc OXYGEN & ENGINE SENSOR MASTER SET

- Sockets of various shapes & sizes to fit most vehicle engine sensors
- 22mm flexible handle oxygen sensor wrench
- Suitable for most engine & exhaust mounted sensors



**Cr-V**

**\$249**

**PT51014**

## 43pc HARMONIC BALANCER/ PULLEY INSTALLER & PULLER

- Developed for use on harmonic balancers & drive pulleys with threaded tapped holes
- The cleverly designed 3/4" diameter forcing screw has an internal bearing which is matched with a circular 2/3-way puller flange that distributes the torsional force evenly across the face of the tool to ensure hassle free & long use

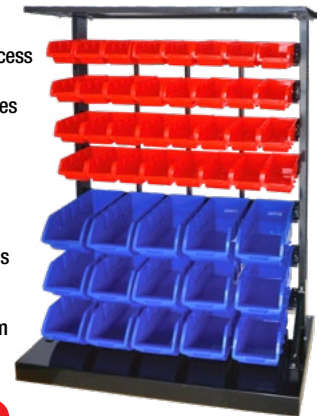


**\$122**

**PT80933**

## 47 BIN STORAGE RACK SET

- Convenient storage option with easy access to removable bins
- Assembles in minutes with a Phillips screwdriver
- Sturdy metal frame
- 32 Small red bins 160 x 103 x 72mm
- 15 Medium blue bins 237 x 144 x 125mm
- Overall dimensions: 940mm (L) x 279mm (W) x 1143mm (H)



**\$199**

**PT60310**

## AUTO COOLANT FILL, BLEED & REFILL FUNNEL SYSTEM

- Quickly & easily refills & tops off cooling systems without mess during the bleeding process
- 170mm funnel
- 3 adaptors
- Fits Japanese & imported vehicles, Ford, Mitsubishi, Nissan, Mazda, Honda & Toyota



**\$79**

**PT10254**

## 21pc SUMP PLUG SOCKET & SPANNER SET

- 3/8" Dr Universal fit
- Designed to match Special Fit drain & filler plugs on modern vehicles
- Ideal for easy regular maintenance on engine, gearbox, diff & axle drain plugs
- Hard to reach plugs are easily accessible using the angled extension tool



**Cr-V**

**\$68**

**PT52137**

## BRAKE DRUM VERNIER CALIPER

- Provides accurate internal & external brake drum measurements
- Measuring Length: 0 to 500mm
- 150mm Jaw drop
- 0.05mm graduations
- Measures both internal & external dimensions
- Provides accurate data to determine drum condition



**\$325**

**SAVE \$70**

**PT51544**

## INNER BEARING RING PULLER WITH INTEGRATED CLAMP



- The Integrated Clamp design applies pressure below the bearing ring to be removed & loosens it before the actual removal procedure commences
- Ideal for VAG vehicles that have two key surfaces on the hub as well as collapsed bearing rings, seized or tight bearings
- Fits bearing rings up to 68mm



**\$197**

**Crazy Price!**

**PT10392**

## MAGNETIC INDUCTION HEATER KIT

- Powerful enough to turn a 3/4" nut red hot in just over 15 seconds
- Rapid heating allow for the effortless removal of stubborn & rusty bolts & nuts
- Eliminates the need to use an oxy torch or some other open flame to heat up metal parts
- Heats up to a white hot 800°C



**\$739**

**SAVE OVER \$200**

**PT60306**

## 5pc CAPLESS RADIATOR PRESSURE TESTING KIT

- Four separate cone adaptors that are easily adjustable to suit a widerange of radiator inlets on cars, trucks, farm machinery & fixed position engines
- Suits radiators from 17 to 48.5mm inlets & tests up to 2.5BAR & 35lb
- 400mm Hose & Quick fit Nozzle with Pressure Release Valve



**\$282**

**SAVE \$50**

**PT60151**

## 32pc MASTER DIESEL ENGINE HIGH PRESSURE COMMON RAIL TESTER KIT

- 75mm Stainless Steel, Oil Filled, 2,000BAR gauge
- Twelve Fuel Rail Blanking Plugs
- Four High Pressure Ultra-flexible Hoses to reach into confined spaces
- Safety Relief Valve with 1,300BAR overpressure release, Dump Bottle & 30cm Hose



**\$708**

**SAVE OVER \$200**

**PT12504**

## 5pc THIN WALL DEEP IMPACT MAG WHEEL SOCKET SET

- 1/2" Drive
- Tested by applying a 569Nm force cycle for more than 1,500 repetitions before any sign of failure
- Chamfered 6PT 85mm socket allows positive nut location
- Sizes: 15, 17, 19, 21 & 22mm



**\$119**

**METRIC Cr-Mo**



**PT80400**

## HEIGHT ADJUSTABLE MECHANICS SEAT

- Adjustable pneumatic lift strut for easy height adjustment
- Position at the right height to reduce pressure on your spine
- 360° heavy duty swivel castors allow easy movement without the need to stand to move positions
- Professionally built with a large 130kg weight capacity



**\$77**

**30% OFF**



**PT30210**

## 100PC COMBO SCREWDRIVER SET

- With ratcheting driver handle, offset screwdrivers, bits & nut drivers
- A screwdriver style to complete any job
- Phillips, pozi, blade, star, hex & square
- Non-slip Handles



**\$55**

**Cr-V**



**PT20901**

## EXHAUST HANGER REMOVAL PLIERS

- Fits a wide range of vehicles
- 25° offset pin
- Easily removes the rubberhanger from the pin on the exhaust pipe bracket
- Increases efficiency
- Hollow tipped forcing pin lines up accurately & applies direct pressure



**S45C STEEL**

**\$29**



**PT51307**

## VALVE STEM SEAL REMOVAL PLIERS

- Ideal for overhead camshaft engines
- Slip free serrated jaws precisely grip seals
- Fits all configurations of OEM & aftermarket seals
- Anti-Rust, corrosion-resistance finished heat-treated steel for a long service life
- Minimum 110mm reach
- 265mm long



**\$20**



**PT90301**

## 4pc ROLLED HEAD PRY BAR SET

- Hardened & machined rolled head for difficult jobs
- Rolled head, slipper foot design provides high leverage & reduces fatigue
- Long tapered body & pointed podger end is ideal for aligning parts, bolt holes & aligning drift
- Black micro-sanding finish resists corrosion
- Drop forged, high strength carbon steel



**\$39**

**20% OFF**

**PT70905**

## 27pc 180mm TRIM, CLIP & SCRAPER SET

- For easy removal of trims and clips
- Also useful for scraping
- Made from long lasting, tough nylon
- Professional quality



**\$35**

**PT51700**

## PNEUMATIC CV JOINT BOOT INSTALLATION TOOL

- Designed to expand & fit CV stretch boots over CV joints without the need to dismantle the shaft
- Uses compressed air to open jaws to expand the boot, providing quicker & easier installation
- Durable, lightweight with airflow controller for accurate control



**\$149**

**Great Deal!**

**PT51072**

## 23pc WHEEL BEARING REMOVAL & INSTALLATION KIT

- Suits 32 & 38mm driveshafts
- The sleeves can also be used with a workshop press if required
- Ideal for industrial use when removing & installing large bearings
- Heavy duty carbon steel construction, with black anodic oxidation



**\$122**

**SAVE \$36**

**PT51504**

## 5pc FRONT END SERVICE KIT

- Five different designs to suit most vehicles
- Simple design & variety of tools to suit most FWD, AWD & 4WD vehicles
- Constructed using heavy duty, drop forged steel with a galvanised corrosion resistant finish for an extended working life



**\$99**

**Bargain!**

**RG5361**

## INFRARED THERMOMETER WITH LASER POINTER

- Aim & shoot for an instant result
- Non-Contact C° & F° measurement
- Accurate & easy to read backlit digital display
- Auto power shut-off & low battery indicator
- Ideal for use to check temperatures in automotive, industrial, plumbing, cooking, air conditioning, home, cooking, food industries & retail, medical & more



**\$44**

**PT12334**

## 21pc PNEUMATIC IMPACT DIESEL INJECTOR PULLER & REMOVAL KIT

- Hands-free impact removal for stubborn injectors
- High-speed, impact action tool uses 1,000NM of pneumatic power to loosen & remove seized injectors
- Nineteen solenoid screw & fuel feed line adaptors to suit diesel injectors including Bosch, CAT, Cummins, Denso & more



**\$279**

**SAVE \$45**

**PT60307**

## 29pc COOLING SYSTEM PRESSURE TESTER & VACUUM REFILL MASTER KIT

- Diagnoses leaks & blockages, performs airlock free radiator refilling & tests twist on radiator caps
- Twenty three radiator adaptors & fittings provide testing & refilling functions for a comprehensive & wide range of radiators & caps



**\$145**

**PT60505**

## SMOKE LEAK DETECTOR & LOCATOR

- Smoke vapour allows easy detection of minute leaks & cracks
- Ideal for all auto, motorcycle, boating, industrial & machinery leak detection
- Supplied with all adaptors, stopples, inflatable bladder, oil filler bottle & power cable with clamps
- Powered directly from a 12v battery
- Handy carry handle



**\$329**

**SAVE OVER \$50**

3.01.06.0046

## THINKTOOL EXPERT 394

12-INCH AI DIAGNOSTIC SCAN TOOL

 **HD COMPATIBLE**  **EV STANDARD**  **ADAS COMPATIBLE**  **PASSENGER STANDARD**

- **AI-driven diagnostic support**  
OE-driven guidance that takes the technician from fault detection through testing, wiring diagrams and repair information.
- **High-Performance Hardware**  
Powered by an 8-core MT8788 processor with 8GB RAM and 256GB storage, delivering faster performance and smoother, more responsive operation.
- **Split-Screen Functionality**  
Multitask across diagnostic functions with dual-screen capability for improved workflow and efficiency.
- **Enhanced EV Diagnostics**  
Includes 70+ EV software packages plus advanced battery diagnostics with live cell data, voltage, temperature, pressure difference, State of Health (SOH), and built-in battery diagnosis and maintenance guidance.
- **OE-Level Diagnostics with SGW Compatibility**  
Full-system diagnostics, special functions, bi-directional control, coding and online programming, with support for modern OEM security gateways including SFD and SGW systems.



Save Over  
**\$700**  
**\$4,595**



3.01.03.0078

## THINKTOOL EXPERT 391

10.1-INCH DIAGNOSTIC SCAN TOOL

 **HD COMPATIBLE**  **EV STANDARD**  **ADAS COMPATIBLE**  **PASSENGER STANDARD**

- **Advanced Programming Capability**  
Online programming for premium brands, with automatic ECU programming adding a faster, lower-input workflow on many modern European vehicles.
- **Full OE-Level Diagnostics with SGW Compatibility**  
Full-system diagnostics, special functions, bi-directional control, coding and programming, with compatibility for modern security gateway access on supported vehicles.
- **Advanced Live Data & PDF Reporting**  
View and graph live data, capture diagnostic sessions, add screenshots and images, then generate and print professional PDF reports directly from the tool.
- **Late-Model Protocol & Pass-Thru Support**  
Supports CAN 2.0, CAN FD, DoIP, J2534 Pass-Thru and RP1210.

Save Over  
**\$500**  
**\$2,900**

Expert 394 | Expert 391  
3.09.01.0006 | 3.04.02.0002

### HD KIT - ADD ON

FOR THINKTOOL 3 SERIES DIAGNOSTIC TOOLS

- **Diagnostic Power**  
Read and clear DTCs, access live data streams, and perform actuation tests.
- **Hardware**  
Includes 13 non-standard connectors for brands like CAT, Volvo, Benz, and MAN.
- **Precise Calibrations:** Adjust critical settings such as idle speed, speed limits, cruise control, and the idle-stop system.
- **Connection**  
Supports both Bluetooth and USB.
- **13 Special Functions**  
Covers DPF regeneration, injector coding, AdBlue circuit bleeding, and service resets.
- **System Monitoring:** Supports adjustments for ABS, automatic transmissions, and electronic fans

Save Over  
**\$200**  
**\$1,149<sup>ea</sup>**



Type II OBD-9   CAT-9   BENZ-14   IVECO-38   MAN-37   OBD-6   OBD-16   IVECO-30   MAN-12   RENAULT-12   ISUZU-3   VOLVO-8   ISUZU-20

EXCELL254T

## EXCELL LIFT

4.5 TON 2 POST HOIST

The EXCELL 4500kg Hydraulic Two Post Lift is a professional grade solution designed to make vehicle servicing safer, faster, and more efficient. It accommodates a wide range of vehicles, from compact cars to large SUVs. Built in safety features such as mechanical locks, synchronized safety ropes, and manual single point release provide maximum stability and operator protection. Easy to maintain and simple to operate, this lift is the perfect combination of reliability, durability, and precision for any professional automotive workshop requiring light commercial use.

TRUSTED BY KANGAN INSTITUTE AUTOMOTIVE CENTRE OF EXCELLENCE

**\$3,950**

### Features

- 4500kg lifting capacity
- Single and 3 phase options
- Manual single point lock release
- Black powder coating with red safety arms
- 3 stage front + 2 stage rear lifting arms with telescopic range up to 1350mm
- Twin hydraulic cylinders
- Wide vehicle compatibility (most)
- SUV compatibility (most)
- WorkSafe plant design registration number WSV-0151533670



3.01.06.0047

## THINKTOOL EXPERT 195

OBDDII BUILT FOR WORKSHOP PROFESSIONALS & DIY

PASSENGER STANDARD

- **Comprehensive Protocol Support**  
Full compatibility with CAN 2.0/FD, DoIP, J2534, and RP1210.
- **OEM Online Programming**  
Cloud-based programming for premium brands including BMW, Mercedes, Audi, and Porsche
- **Professional Diagnostics**  
OE-level full-system scans, bi-directional control, and advanced coding for US, Asian, and European models.
- **Live Remote Assistance**  
Real-time VCI mirroring and dual-channel (audio/video) remote support capability. (Note: Requires additional VCI)



**\$1,985**

3.01.02.0019

## THINKTOOL T77

OBDDII BUILT FOR WORKSHOP PROFESSIONALS & DIY

PASSENGER STANDARD

- **OE-Level Full-System Diagnostics**  
Deep, module-level diagnostics across a broad range of vehicle systems and supported makes/models.
- **OE-Level Control, Active Tests & Coding**  
Full-system control with bi-directional (actuation) tests plus ECU coding (where supported), alongside special functions beyond basic scanning.
- **Live Data & OBD Emissions Diagnostics**  
View, record, compare, and save data streams. Plus OBDII/EODB emissions functions like codes, live data, freeze frame, and I/M readiness.



**\$799**

3.10.05.0123

## THINKCAR TBT360

PROFESSIONAL BATTERY CRANKING, AND CHARGING SYSTEM

- **Detailed reporting:** Generates professional reports covering battery health, voltage, and internal resistance, suitable for customer consultation and printing.
- **High accuracy testing:** Uses Kelvin clamps to eliminate lead resistance for precise results.
- **Workshop durability:** Built with acid-resistant ABS housing to withstand drops and harsh workshop chemicals.
- **Wide compatibility:** Supports batteries from 3Ah to 360Ah across a broad range of vehicles.



**\$189**

30000585

## THINKCAR TOR 218

WASTE OIL EXTRACTOR WITH ADJUSTABLE HEIGHT

- **Large 10L Oil Catch Pan**  
Leak-proof design with built-in filter to prevent impurities from entering the oil drum.
- **Height-Adjustable Lifting Rod**  
Adapts to different working scenarios for convenient use.
- **360° Swivel Casters**  
Anti-wear silent casters with built-in brakes for easy and safe mobility.
- **Five Corrosion-Resistant Oil Pipes**  
Includes Φ5-1, Φ6-2, and Φ8-2 pipes to fit various vehicle oil inlets.
- **Explosion-Proof Tempered Glass Measuring Cup**  
High-strength, heat-resistant cup that withstands temperatures up to 120°C.



**\$475**

3.10.05.0164

## THINKCAR PLD 222

AUTOMOTIVE LEAK TESTER

- **Universal Application**  
This versatile tool is applicable to all types of vehicles, offering comprehensive leak detection across all major systems (Intake, Exhaust, Cooling, EVAP, Turbo, etc.).
- **Fast and Powerful Performance**  
Equipped with a faster, more powerful built-in air pump motor, the PLD 222 offers a wide pressure range (from 3.5kPa in EVAP mode to 1-2 bar in TURBO mode) and a strong 12L/Min smoke output for quick and effortless smoke testing.
- **Dual-Mode Operation**  
Easily switch between TURBO and EVAP modes with a single key press. It also provides both Air Mode and Smoke Mode, with adjustable air intake flow and smoke output to suit the specific test requirements.



**\$549**

# EOFY WORKSHOP EQUIPMENT SALE

**TUNI679**

## ADAIR VACUUM PUMP 135 l/m @ 60 Hz

- Suitable for R134a & R1234yf



**ADAIR**  
Auto Air Products

**\$298**

**TUNI474**

## CPS LEAK SEEKER W/ EMOS SENSOR

- LDA 1000H in carry case



**SAVE OVER  
\$50**

**cps**

**\$492**

**TUNI121**

## JAVAC EVO-OS RECOVERY MACHINE

- Suitable for R134a & R1234yf



**SAVE OVER  
\$200**

**JAVAC**

**\$1,299**

**TUNI660**

## VALEO AC LEAK DETECTION

- Includes PAG 46 Oil + Oil Injector



**BARGAIN!**

**Valeo**

**\$159**

**3.10.05.0166**

## THINKCAR AC 200 AC MACHINE

- R134A / R1234YF compatible
- Equipped with 2 refrigerant tanks with independent operation
- Refrigerant recovery, filling, vacuuming, and refueling
- Automatic working mode
- Built-in database for matching vehicle refrigerant type and filling capacity



**THINKCAR**

**\$4,400**

**TUNI657**

## VALEO CLIMFILL PRO RRR AC 134A MACHINE

- Refrigerant recycling
- Automatic refrigerant recovery & injection
- Automatic oil weighing, recovery & injection
- Automatic UV dye injection
- Manual operating mode



**LIMITED  
STOCK**

**Valeo**

**\$6,000**

**TUNI661**

## VALEO AC LEAK DETECTION KIT

- Includes UV Torch + Glasses



**Valeo**

**\$85**

**TUNI420**

## JAVAC PROCHARGE 3 CHARGING SCALE 100kg

- Non-slip rubber base
- Tare deduction in full range (100kg)
- Durable & easy-to-use



**JAVAC**

**\$198**

308380

## COOLING SYSTEM TESTER TRUCK 5 PC TAPERED ADAPTOR

- Suitable for Japanese, European & American radiators
- 0-35psi / 0-2.5bar

**\$449**

FAMOUS  
TOLEDO



6800PACK

## SYKES COLLAPSIBLE MAGNETIC TRAYS PACK

- Small, Large & Oval pack

**\$99**

SP Sykes-Pickavant.



301561

## EXHAUST GAS TEMPERATURE SOCKET SET 6 PC

- Suitable for passenger, heavy vehicles, tractors & marine diesel engines
- Made from chrome molybdenum steel

**\$105**

FAMOUS  
TOLEDO



301099

## TOLEDO TORQUE WRENCH 1/2" DRIVE

- Click-stop design with heavy duty cam
- 24 tooth ratchet head
- Micrometer adjuster for precise torque setting

**\$78**

FAMOUS  
TOLEDO



305800

## TOLEDO OIL FILTER WRENCH SET 6 PC

- Fluted cup design for grip
- Suits popular petrol & diesel filters
- Made from high grade aluminium

**\$249**

FAMOUS  
TOLEDO



305219

## TOLEDO HEAVY DUTY LEVER ACTION GREASE GUN

- Pressure: 69,000 kPa (10,000 PSI, 690 Bar)
- Notched lock style plunger
- Cartridge capacity: 450g

**\$55**

FAMOUS  
TOLEDO



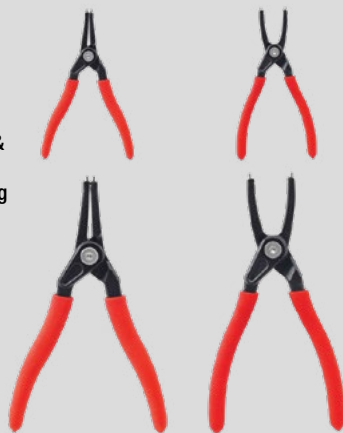
303197

## TOLEDO HEAVY DUTY CIRCLIP PLIERS 4 PC

- Heavy duty pliers for internal & external circlips
- Anti-slip PVC handles providing comfortable grip & control
- Black phosphate finish
- 4 piece set

**\$105**

FAMOUS  
TOLEDO



AAPKA30

## ALEMLUBE PREMIUM MOBILE EVAP COOLER 130L - 1,100W

- 240V, 1100W - 3 speed motor
- Easy-to-operate
- Produce up to 23,000 cubic metres of airflow per hour
- Fan diameter: 76cm
- Size: 112 cm x 64 cm x 160 cm
- Effective cooler for your workshops & warehouse

**\$1,490**

Alemlube



SAVE  
BIG

WORKSHOP EQUIPMENT

# EOFY SALE

**SCANGRIP**  
INNOVATION FROM DENMARK



**INSTANT TAX WRITE-OFF**

03.6207

### SCANGRIP MINIFORM FOR LIFE

- Rechargeable work light providing 200 lumen

**\$59**



03.6212

### SCANGRIP I-VIEW FOR LIFE

- Rechargeable LED headlamp with touchless sensor providing up to 400 lumen

**\$79**



03.5116

### SCANGRIP MAG PEN3 INSPECTION LAMP

- Pencil work light with COB LED & spotlight providing 150 lumen

**\$57**



03.6201

### SCANGRIP NOVA R FOR LIFE

- Hand-held & rechargeable dimmable NOVA with integrated magnetic bracket providing up to 2000 lumen

**\$155**



03.5408

### SCANGRIP UV-FORM INSPECTION LAMP

- Work light providing up to 250 lumen with UV-top light (400nm)

**\$99**



03.5127

### SCANGRIP WORK PEN 200R TORCH

- Compact, rechargeable 200 lumen LED pen light with adjustable brightness, dual light sources & built-in magnets for flexible hands-free use

**\$48**



Offer valid during June 2026 or while stocks last. Prices ex GST & freight. Allow up to 4 weeks delivery for major workshop equipment. Wholesale accounts excluded. No back orders. E&OE.



**Australian**  
Owned & Operated



[natradtrade.com.au](http://natradtrade.com.au)

**1800 628 723**